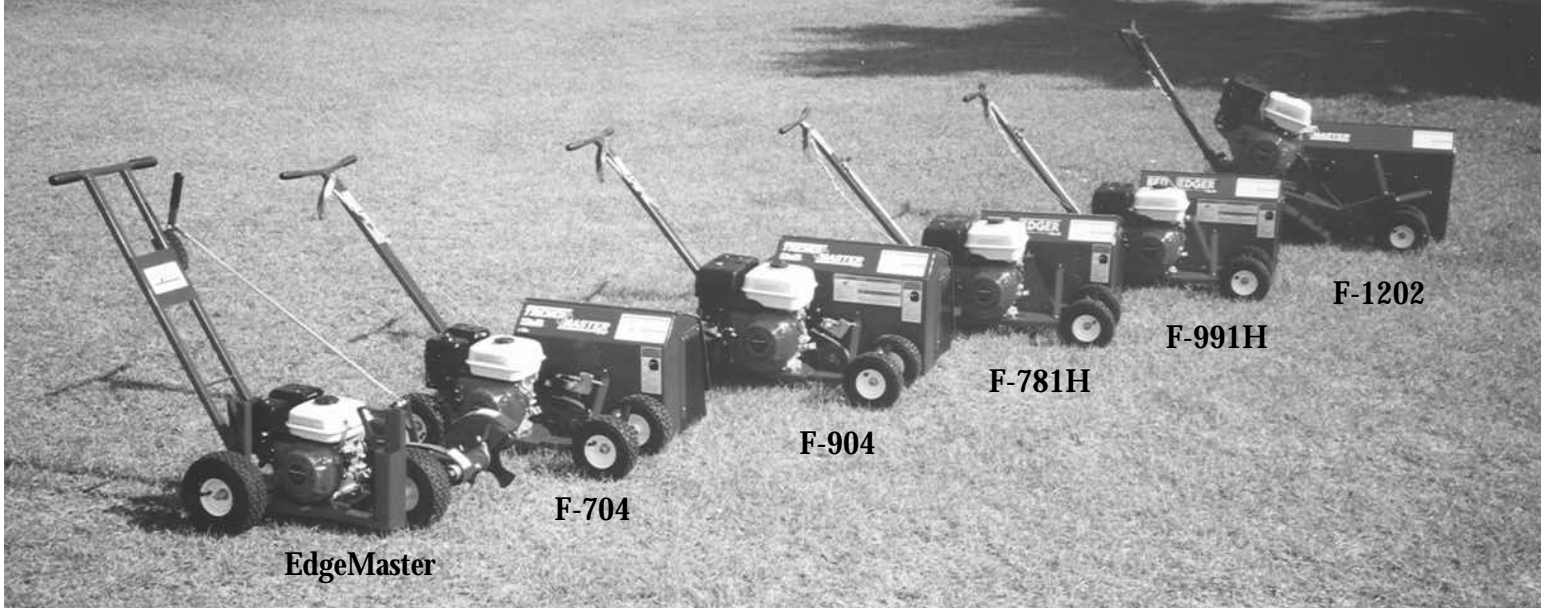




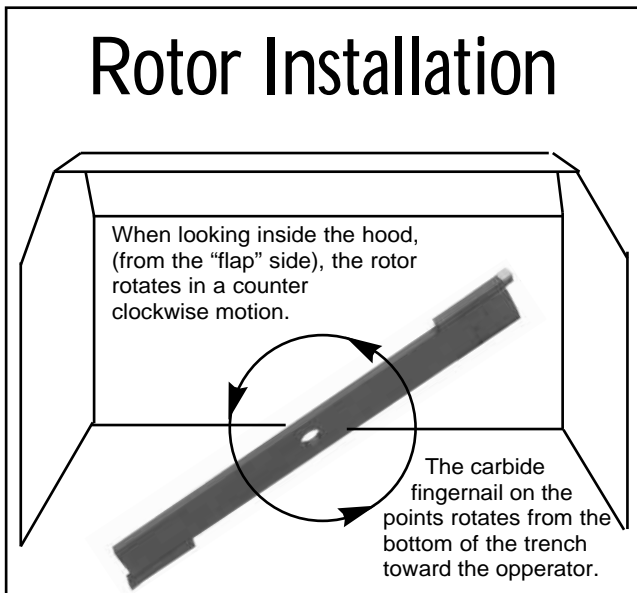
Rotor Guide



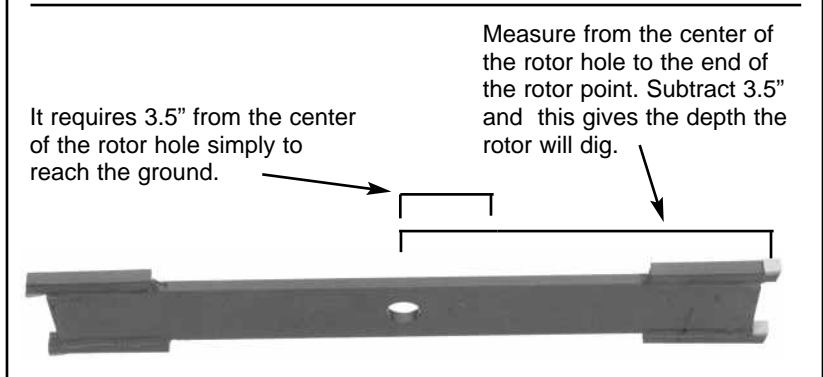
Your Trenchmaster® is a versatile powerhouse. Simply change rotors for unlimited flexibility.

IMPORTANT:

Rotor Installation



How To Determine The "Trench Depth" of A Rotor.



7 Point Clay Rotor

Clay rotors are designed to trench in any soils except heavy rock or very wet soil conditions. Will trench through gravel or asphalt driveways.



Trenches: 3" wide

Available in: 7", 9", 10" or 12" depths

Same uses as the 3"-5 point rotor.

Note: Costs approx. 30% more than the five point rotor. However, it should increase the life of the rotor by 75% to 90%

5 Point Clay Rotor

Clay rotors are designed to trench in any soils except heavy rock or very wet soil conditions. Will trench through gravel or asphalt driveways.



Trenches: 3" wide

Available in: 7", 9", 10" or 12" depths

Normally used for installing sprinkler systems. Designed for use in all soils except heavy scattered rock. Suitable for digging in small scattered rock or gravel. Can dig through asphalt or gravel driveways. However, trenching in sand, gravel & asphalt does reduce rotor life of all rotors.

1 1/2" Rock Rotor *



Trenches: 1 1/2" wide

Available in: 3", 4", 5", 7", 9" or 12" depths

For use in areas of heavy, scattered rock conditions.

(Does not trench as well as the "Clay Rotor" in hard clays.)

*Requires 4 replaceable tungsten carbide rock Points for operation (points priced separately)

3" Rock Rotor *



Trenches: 3" wide

Available in: 7", 9" or 12" depths

For use in areas of heavy, scattered rock conditions.

(Does not trench as well as the "Clay Rotor" in hard clays.)

*Requires 4 replaceable tungsten carbide rock Points for operation (points priced separately)

3 Point Clay Rotor



Trench widths:
available in - 2"

Available in: 3", 4", 5", 7", 9", 10"
or 12" depths

Normally used for installing sprin-
kler systems or for
burying wires or cable. Also used
for burying edging (plastic, steel,
or other materials).

2 Point Clay Rotor



Trenches 1" wide

Available in: 3", 4", 5", 7", 9" or
12" depths

Normally used for burying wire
or cable or for burying edging
(plastic, steel, or other
landscape materials).

RainDrain Rotor



Trenches 4 1/2" wide

Available in 4", 6", 8", 10" or
12" depths

This rotor is used to bury 4" drain
line in order to divert water from
gutter downspouts away from the
house. The rotor is also used for
installing block or brick edging.

Root Pruner



Trenches 1/2" wide

Available in 3,4,5,7,9, or
12" depths

Designed to prune roots close to
sidewalks, driveways, cart paths
or other paved areas, preventing
concrete damage. Also used for
installing electronic dog fencing,
burying irrigation control wires or
lines for low voltage lighting.

BedMaster™

Designed to define beds for natural edges or for installing edging



Protected by Patent
5226248,
5355597 and others



Different sized rotors designed to dig 3", 4", 5" or 6" deep and slopes 6" to 8" back into bed. The 3" BedMaster® rotor is designed for bed defining. The 4" and 5" are designed for installing steel or plastic edging, bricks, paving stones, or other edging materials.

Trench Profile

Re-Defining Rotor

Designed to Re-define existing beds



Trenches 3" deep and slopes into the bed 3"

Used instead of 3" BedMaster® for redefining beds. It was developed as an alternative to the 3" BedMaster in an effort to reduce the amount of dirt to be cleaned up after re-doing existing beds. Costs less, digs faster and requires less clean up.

Trench Profile

StumpMaster™

Designed to remove small stumps

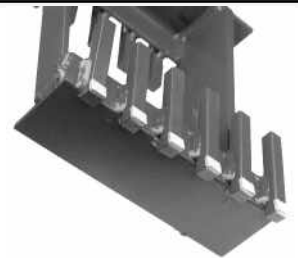


Removes small stumps up to 3 1/2" below the ground surface. Stumps should be no higher than 6" above the ground. May also be used for removing large surface roots.

Trench Profile

Curbing Rotor

Designed to prepare the bed for the concrete curbing machine



Digs a 2" deep x 9" wide Trench. Also available in 4" depths for laying timbers and other landscape materials.

Trench Profile



TRENCHMASTER® ROTOR COMPATIBILITY LIST

"X" INDICATES ROTOR WILL FIT ON CORRESPONDING TRENCHER

CLAY ROTORS			TRENCHERS F-702/703/704	TRENCHERS F-780H / 781H	TRENCHERS F-903/904/990/991	TRENCHERS F-1201/1202
Part #	Depth X Width					
702-81	3" X 1"	2 POINTS	X	X	X	X
702-82	4" X 1"	2 POINTS	X	X	X	X
702-82A	5" X 1"	2 POINTS	X	X	X	X
702-87	7" X 1"	2 POINTS	X	X	X	X
702-130	3" X 2"	3 POINTS	X	X	X	X
702-131	4" X 2"	3 POINTS	X	X	X	X
702-132	5" X 2"	3 POINTS	X	X	X	X
702-133	7" X 2"	3 POINTS	X	X	X	X
702-89	4" BEDMASTER	ROTOR	X	X	X	X
702-93	3" BEDMASTER	ROTOR	X	X	X	X
702-93R	REDEFINING	ROTOR	X	X	X	X
702-100	STUMPMASTER	ROTOR	X	X	X	X
702-102	4-1/2" X 6"	RAIN DRAIN		X	X	X
702-106	5" BEDMASTER	ROTOR	X	X	X	X
702-107	6" BEDMASTER	ROTOR		X	X	X
702-112	4-1/2" X 4-1/2"	RAIN DRAIN		X	X	X
702-113	2" X 9" CURBING	ROTOR	X	X	X	X
702-114	6" X 4-1/2"	RAIN DRAIN		X	X	X
702-115	4" X 8" CURBING	ROTOR		X	X	X
12-74	7" X 3"	5 POINTS		X	X	X
12-75	9" X 3"	5 POINTS			**X	X
12-76	12" X 3"	5 POINTS				X
12-77	7" X 3"	7 POINTS		X	X	X
12-78	9" X 3"	7 POINTS			**X	X
12-79	12" X 3"	7 POINTS				X
12-80	10" X 3"	5 POINTS				X
12-80A	10" X 1"	2 POINTS				X
12-81	10" X 3"	7 POINTS				X
12-90	9" X 1"	2 POINTS			X	X
12-91	12" X 1"	2 POINTS				X
12-94	12" X 4-1/2"	RAIN DRAIN				X
12-95	10" X 4-1/2"	RAIN DRAIN				X
12-97	8" X 4-1/2"	RAIN DRAIN				X
12-110	9" X 2"	3 POINTS			X	X
12-111	10" X 2"	3 POINTS				X
12-112	12" X 2"	3 POINTS				X
12-113	13" X 2"	3 POINTS				X
ROCK ROTORS						
702-58	5" X 1-1/2"	W/O POINTS	X	X	X	X
702-85	4" X 1-1/2"	W/O POINTS	X	X	X	X
12-37	7" X 1-1/2"	W/O POINTS	X	X	X	X
12-37A	9" X 1-1/2"	W/O POINTS			X	X
12-38	12" X 1-1/2"	W/O POINTS				X
12-39	7" X 3"	W/O POINTS		X	X	X
12-39A	9" X 3"	W/O POINTS			**X	X
12-40	12" X 3"	W/O POINTS				X
ROOT PRUNER ROTORS						
702-90	4" X 1/2"	2 PT. @ EA. END	X	X	X	X
702-92	3" X 1/2"	2 PT. @ EA. END	X	X	X	X
12-41	7" X 1/2"	2 PT. @ EA. END	X	X	X	X
12-41A	5" X 1/2"	2 PT. @ EA. END	X	X	X	X
12-42	12" X 1/2"	2 PT. @ EA. END				X
12-42A	9" X 1/2"	2 PT. @ EA. END			X	X
** Will not perform well in difficult soils						